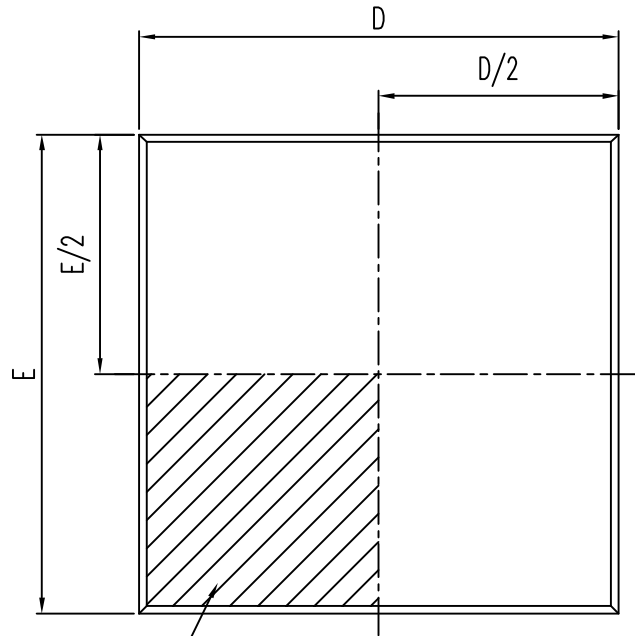


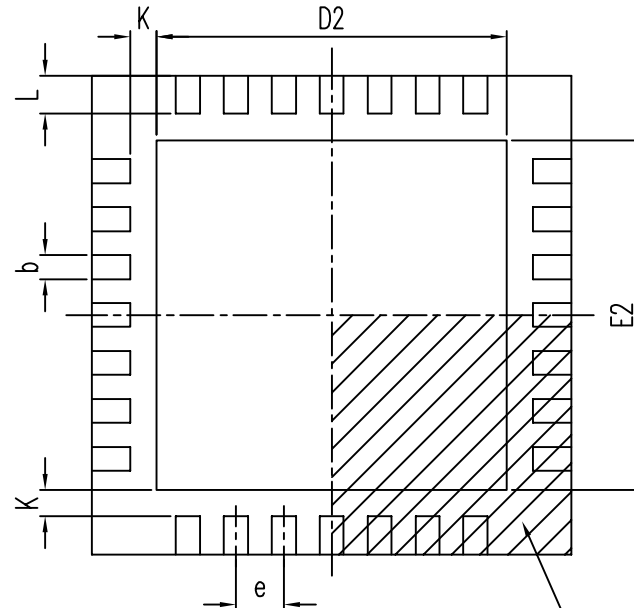
REV.	DESCRIPTION	BY	DATE
ORIG.	DRAWING ISSUE	SANDY CHEN	05.27.2013

TOP VIEW



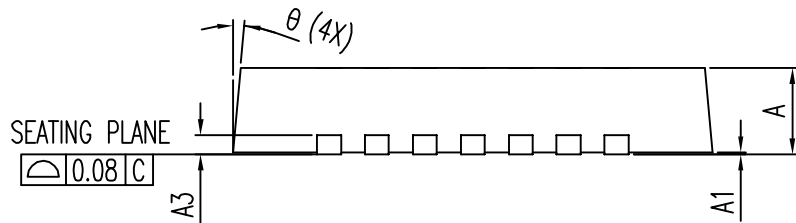
TERMINAL #1  
INDEX AREA  
(D/2 X E/2)

BOTTOM VIEW



TERMINAL #1  
INDEX AREA  
(D/2 X E/2)

SYMBOL	DIMENSION IN MM		
	MIN.	NOM.	MAX.
A	0.80	0.90	1.00
A1	0	0.02	0.05
A3	0.20 REF.		
D	5.00 BASIC		
D2	3.50	3.65	3.80
E	5.00 BASIC		
E2	3.50	3.65	3.80
e	0.50 BASIC		
b	0.18	0.25	0.30
L	0.35	0.40	0.45
K	0.20		
$\theta$	0°		14°
JEDEC	MO-220 (Variation VHHD-3)		



SIDE VIEW

<b>CWT Chant World Technology Inc.</b>		<input type="checkbox"/>	
TITLE VQFN 28L PACKAGE OUTLINE BODY SIZE : 5 X 5 MM		XX.XXXX ±0.005 XX.XXXX ±0.035 XX.XX ±0.05 XX.X ±0.1 XX. ±0.2	ANGULAR ± ROUGHNESS ✓ SCALE 18 : 1
DESIGNED	SANDY CHEN 05.27.2013	UNIT	QTY
CHECKED	SANDY CHEN 05.27.2013	FILE NAME :	VQFN28L(5x5x0.85) A3
APPROVED	SANDY CHEN 05.27.2013	DWG. NO.:	CW-PS-003A